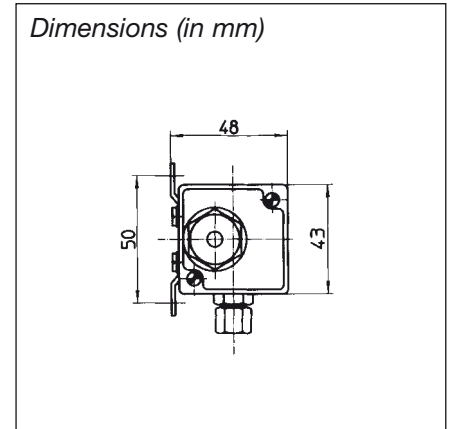
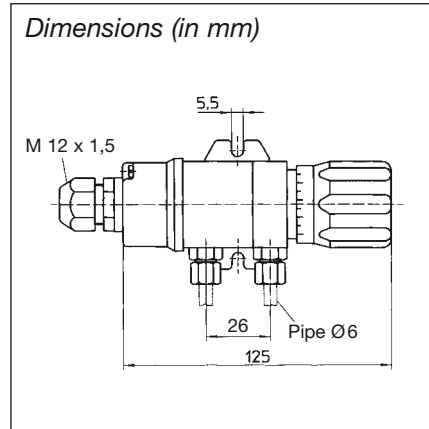


# Differential pressure switches DS 01



## Application

Suitable for all practically neutral media such as process water, heating water, neutral gases, oils. Suitable for two-point control by means of a continuously adjustable switching point (between 10 and 100 % of pressure range).

## Function

A robust diaphragm type movement serves as the basis for this unit. It is suitable for pressure, vacuum and differential pressure measurements. The unit uses the same principle of operation for all three measuring applications. The pressure or the differential pressure applies a force to one side of the diaphragm. This force displaces the diaphragm system and moves the measurement range spring. A switching plunger fixed to the diaphragm actuates an electrical switching element. The switching point is adjusted via a knurled knob according to the scale.

## Pressure ranges

0/0.6 to 0/4 bar

## Maximum static pressure

16 bar, device is overpressure-proof up to 16 bar and vacuum-proof

## Operating temperature range

Medium:  $T_{max} = +80\text{ °C}$   
Ambient:  $T_{max} = +80\text{ °C}$

## Connection

2 x G<sup>1</sup>/<sub>8</sub> female thread

## Pressure chamber

Brass

## Diaphragm

NBR

## Mounting

Bracket for wall mounting

## Electrical connection

Cable gland M 12 x 1.5

## Switching point

10–100 % of pressure range, continuously adjustable

## Contact

Microswitch, normally closed or normally open

## Hysteresis

Approx. 2 %

## Max. rating

U ... AC/DC 250 V, I ... 3 A  
P ... 500 VA/250 W

DG: H

Pressure range	Part no.	Price €
0/0.6 bar	88103	
0/1 bar	88104	
0/1,6 bar	88105	
0/2,5 bar	88107	
0/4 bar	88106	

## Additional costs – options

DG: H

Option	Part no.	Price €
Diaphragm FKM	88125	
Fixed cable 2.5 m*	88126	
Compression fitting for 6 mm pipe, steel	88120	
Compression fitting for 6 mm pipe, brass	88108	
Compression fitting for 8 mm pipe, brass	88114	

\* Please specify required switching function (normally closed/normally open)