

Features

- 2-channel isolated barrier
- 230 V AC supply
- Dry contact or NAMUR inputs
- Relay contact output
- Line fault detection (LFD)
- Reversible mode of operation
- Up to SIL2 acc. to IEC 61508

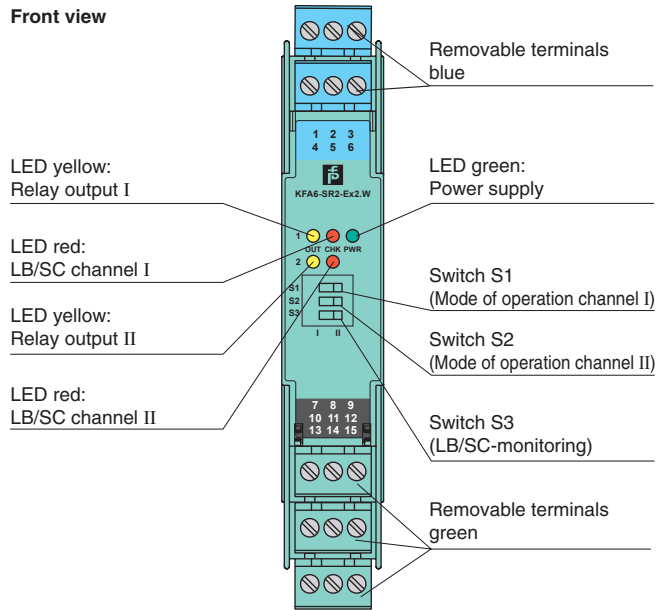
Function

This isolated barrier is used for intrinsic safety applications. It transfers digital signals (NAMUR sensors/mechanical contacts) from a hazardous area to a safe area.

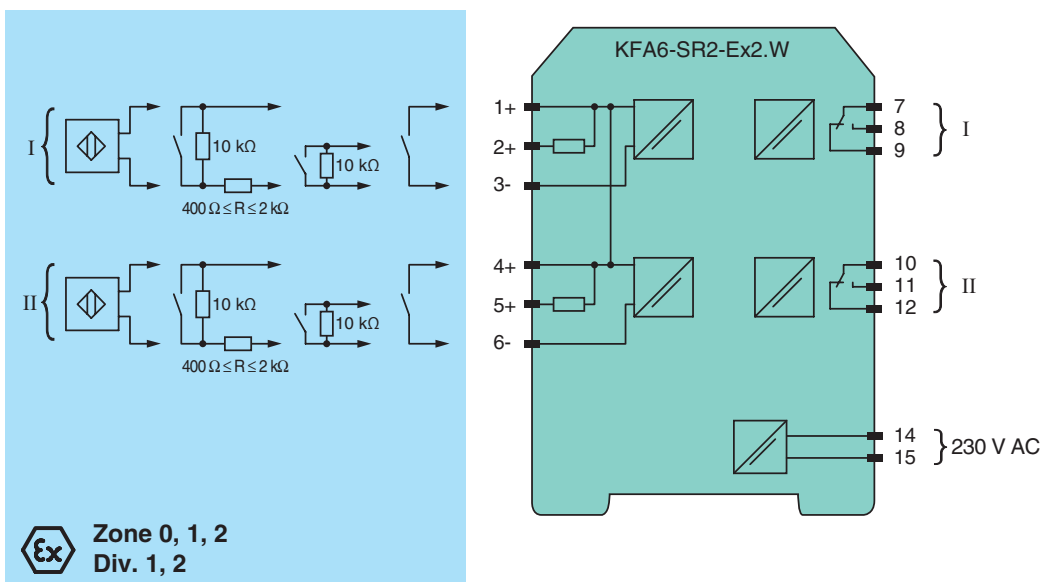
The proximity sensor or switch controls a form C changeover relay contact for the safe area load. The normal output state can be reversed using switches S1 and S2. Switch S3 is used to enable or disable line fault detection of the field circuit.

During an error condition, the relays revert to their de-energized state and the LEDs indicate the fault according to NAMUR NE44.


Assembly



Connection



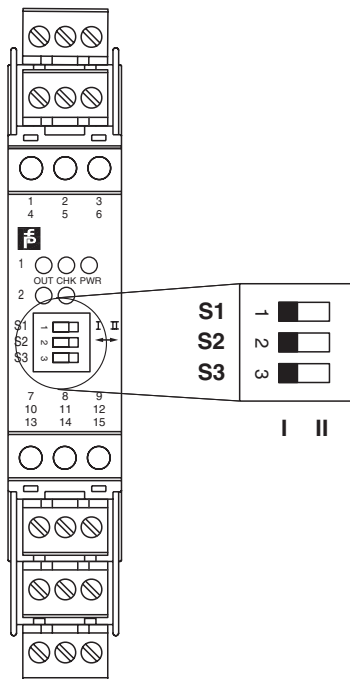
Release date 2011-07-06 16:36 Date of issue 2011-11-21 103373_eng.xml

| | | |
|---|----------------|---|
| General specifications | | |
| Signal type | | Digital Input |
| Supply | | |
| Connection | | terminals 14, 15 |
| Rated voltage | | 207 ... 253 V AC, 45 ... 65 Hz |
| Power loss | | 1.2 W |
| Power consumption | | ≤ 1.3 W |
| Input | | |
| Connection | | terminals 1+, 2+, 3-; 4+, 5+, 6- |
| Rated values | | acc. to EN 60947-5-6 (NAMUR) |
| Open circuit voltage/short-circuit current | | approx. 8 V DC / approx. 8 mA |
| Switching point/switching hysteresis | | 1.2 ... 2.1 mA / approx. 0.2 mA |
| Line fault detection | | breakage $I \leq 0.1$ mA , short-circuit $I > 6$ mA |
| Pulse/Pause ratio | | ≥ 20 ms / ≥ 20 ms |
| Output | | |
| Connection | | output I: terminals 7, 8, 9 ; output II: terminals 10, 11, 12 |
| Output I, II | | signal ; relay |
| Contact loading | | 253 V AC/2 A/cos $\phi > 0.7$; 126.5 V AC/4 A/cos $\phi > 0.7$; 40 V DC/2 A resistive load |
| Energized/De-energized delay | | approx. 20 ms / approx. 20 ms |
| Mechanical life | | 10 ⁷ switching cycles |
| Transfer characteristics | | |
| Switching frequency | | ≤ 10 Hz |
| Electrical isolation | | |
| Output/power supply | | reinforced insulation according to IEC 61140, rated insulation voltage 300 V _{eff} |
| Output/Output | | basic insulation according to IEC 61140, rated insulation voltage 300 V _{eff} |
| Directive conformity | | |
| Electromagnetic compatibility | | |
| Directive 2004/108/EC | | EN 61326-1:2006 |
| Low voltage | | |
| Directive 2006/95/EC | | EN 50178:1997 |
| Conformity | | |
| Electromagnetic compatibility | | NE 21 |
| Protection degree | | IEC 60529 |
| Protection against electric shock | | IEC 61140 |
| Ambient conditions | | |
| Ambient temperature | | -20 ... 60 °C (-4 ... 140 °F) |
| Mechanical specifications | | |
| Protection degree | | IP20 |
| Mass | | approx. 150 g |
| Dimensions | | 20 x 119 x 115 mm (0.8 x 4.7 x 4.5 in) , housing type B2 |
| Data for application in connection with Ex-areas | | |
| EC-Type Examination Certificate | | PTB 00 ATEX 2081 , for additional certificates see www.pepperl-fuchs.com |
| Group, category, type of protection | |  II (1) G [Ex ia] IIC, II (1) D [Ex ia] IIIC |
| Input | | [Ex ia] IIC, [Ex ia] IIIC |
| Voltage | U _o | 10.6 V |
| Current | I _o | 19.1 mA |
| Power | P _o | 51 mW (linear characteristic) |
| Supply | | |
| Maximum safe voltage | U _m | 253 V AC (Attention! U _m is no rated voltage.) |
| Output | | |
| Contact loading | | 253 V AC/2 A/cos $\phi > 0.7$; 126.5 V AC/4 A/cos $\phi > 0.7$; 40 V DC/2 A resistive load |
| Maximum safe voltage | U _m | 253 V AC (Attention! The rated voltage can be lower.) |
| Electrical isolation | | |
| Input/input | | not available |
| Input/Output | | safe electrical isolation acc. to IEC/EN 60079-11, voltage peak value 375 V |
| Input/power supply | | safe electrical isolation acc. to IEC/EN 60079-11, voltage peak value 375 V |
| Directive conformity | | |
| Directive 94/9/EC | | EN 60079-0:2009, EN 60079-11:2007 , EN 61241-11:2006 |
| International approvals | | |
| FM approval | | |
| Control drawing | | 116-0035 |
| UL approval | | |
| Control drawing | | 116-0145 |
| CSA approval | | |

Release date 2011-07-06 16:36 Date of issue 2011-11-21 103373_eng.xml

| | |
|----------------------------|--|
| Control drawing | 116-0047 |
| IECEX approval | IECEX PTB 11.0031 |
| Approved for | [Ex ia] IIC , [Ex ia] IIIC , [Ex ia] I |
| General information | |
| Supplementary information | EC-Type Examination Certificate, Statement of Conformity, Declaration of Conformity, Attestation of Conformity and instructions have to be observed where applicable. For information see www.pepperl-fuchs.com . |

Configuration



Switch position

| S | Function | | Position |
|---|---|-------------------------|----------|
| 1 | Mode of operation Output I (relay) energized | with high input current | I |
| | | with low input current | II |
| 2 | Mode of operation Output II (relay) energized | with high input current | I |
| | | with low input current | II |
| 3 | Line fault detection | ON | I |
| | | OFF | II |

Operating status

| Control circuit | Input signal |
|---|--------------------|
| Initiator high impedance/ contact opened | low input current |
| Initiator low impedance/ contact closed | high input current |
| Lead breakage, lead short-circuit | Line fault |

Factory settings: switch 1, 2 and 3 in position I